

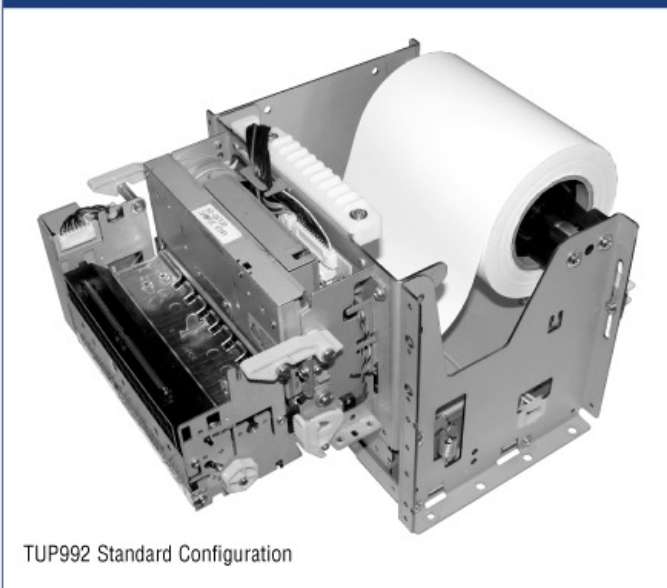


# SOLUTIONS



## TUP900 Direct Thermal Kiosk Mechanism

### TUP900 SERIES



The TUP900 printing solution from Star Micronics brings the ultimate in flexibility and performance to kiosk printing. Its modular design eases integration with many different kiosk configurations.

The looping presenter of the TUP900 ensures jam-free operation by eliminating user access to the document while it is printing. The presenter also allows for the capture of documents which are not removed by the user.

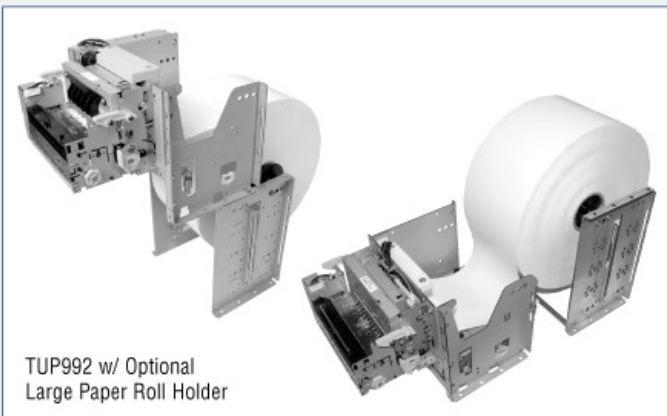
Paper handling capabilities up to 6" diameter paper rolls (up to 10" with optional paper roll holder unit) with widths from 80 to 112 mm give the TUP900 ultimate paper flexibility. The large roll paper holder combined with the looping presenter ensure many hours of unattended operation.

Ideal for:

- Unattended public operation
- Ticketing
- Gaming
- Lottery
- Web Kiosks
- ...and more

### FEATURES

- Looping Presenter Virtually Eliminates Paper Jams
- Modular Design for Easy Mounting/Integration
- Semi-Automatic Paper Loading
- Serial, Parallel, USB and Ethernet interfaces available
- 203 dpi Resolution
- Graphics Printing
- Adjustable Print Width
- 150 MM/SEC Print Speed



### PRINTER

Model No.	Description	Part No.
TUP992-24	Kiosk Printer w/ Presenter	39469200

### OPTIONS

Model No.	Description	Part No.
PS60L-24A	Universal Power Supply	30781440
RHU-T900	Large Paper Roll Holder Unit	39590020

### INTERFACES

Model No.	Description	Part No.
IFBD-HC04	Parallel Interface	39607410
IFBD-HD04	Serial Interface	39607400
IFBD-HN04	9-Pin Serial Interface	39607420
IFBD-HU04	USB Interface	36907420
IFBD-HE04	Ethernet Interface	39607430



# SOLUTIONS



## SPECIFICATIONS

<b>Print Method</b>	Direct Thermal (Single & Two-Color Printing)
<b>Print Resolution</b>	203dpi (8 dots/mm)
<b>Print Speed</b>	150mm/sec
<b>Print Width</b>	72-104mm (adjustable)
<b>Paper Width</b>	80-112mm (adjustable)
<b>Autocutter</b>	Full-cut, Guillotine Style
<b>Presenter</b>	Looping Presenter with Document Capture & Long Journal Mode
<b>Interface</b>	Serial, Parallel, USB and Ethernet
<b>Drivers</b>	Windows, Mac OS X, Linux, OPOS, JavaPOS
<b>Power Required</b>	24vdc

## BASIC SPECIFICATIONS

<b>Paper Specification</b>	<b>Width (mm)</b>	79.5±0.5 – 111.5±0.5
	<b>Thickness (mm)</b>	0.065 – 0.15
	<b>Diameter (mm)</b>	Outer Max. 150 (Max. 250 w/ Large Paper Roll Holder)
	<b>Paper roll shaft</b>	One Inch (Standard) Parts for 2 inch and 3 inch core are included in package
<b>Low Paper Sensor</b>	Included, Adjustable	
<b>Black Mark Sensor</b>	Included (Label & Ticket Printing)	
<b>Tension Bar</b>	Included (Paper Clutching Mechanism)	
<b>Interface</b>	<b>Options –</b>	
	IFBD-HC04 (Parallel)	
	IFBD-HD04 (Serial)	
	IFBD-HN04 (9-Pin Serial)	
	IFBD-HU04 (USB)	
	IFBD-HE04 (Ethernet)	
<b>Operation Panel</b>	Included with package	
<b>Options</b>	PS60L-24A power supply	
	Large paper roll holder unit	
<b>Safety Standards</b>	CD Marking, FCC Class A, VCCI Class A (Not included – UL/C-UL/C-tick/TUV)	
<b>Standard Layout</b>	The control board is installed at the bottom of the paper holder unit, when product is shipped from factory.	
<b>Dimensions (mm)</b>	192 (W) x 289.5 (D) x 207 (H) (With Paper)	
	192 (W) x 249.3 (D) x 179 (H) (Without Paper)	
	Conditions: Control board is on bottom, paper outer diameter is 150 mm.	

## LARGE CAPACITY ROLL PAPER HOLDER UNIT

<b>Dimensions (mm)</b>	192.1 (W) x 127.5 (D) x 209.2 (H) (Without paper)
<b>Other</b>	Standard unit must be used with Large Capacity Roll Paper Holder Unit.