



## HR200

### High Performance Hand-held 1D/2D Barcode Scanner



A well-designed hand-held scanner for 1D and 2D barcode scanning, suitable for various barcode scanning needs including scanning mobile barcodes.

#### Product Features

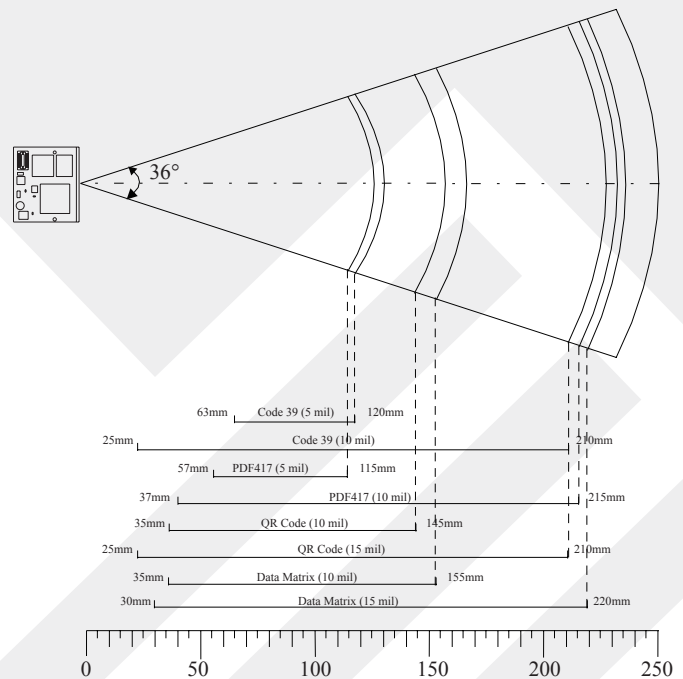
- **Durable and Easy to Operate**

This is well-designed, ergonomic and high-performance hand-held CMOS scanner can be used in various applications such as retail, logistics, office automation and many more. Furthermore, it can read even barcodes from mobile phone displays! The HR200 has an IP54 rating meaning it is dust-proof & water-proof.

- **Advanced Technology**

Includes core-technology **UIMG™**, which is independently designed and manufactured by Newland Auto-ID. **UIMG™** technology includes the optical, CMOS, digitizer, decoder, image processing & embedded systems. The scanner supports all global standard 1D barcode symbologies. Its' reading performance reaches and exceeds global standards. By using the accessories provided, the user can ideally set up the scanner to its user environment.

#### Depth of Field



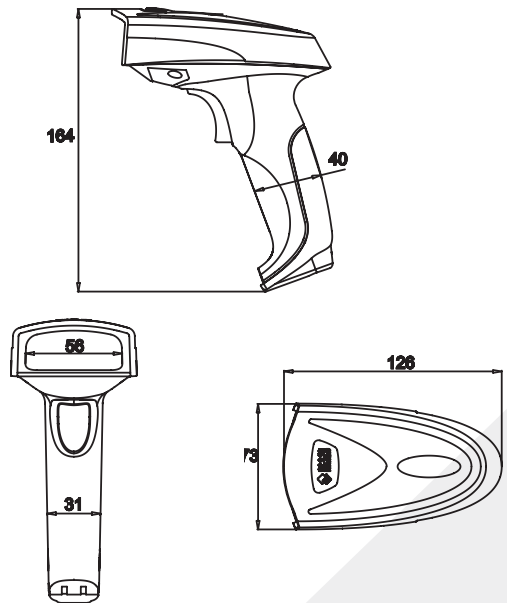
## HR200 Specifications

Performance		
Image Sensor	CMOS	
Resolving	752 * 480	
Interface	RS232 / HID-KBW / UDP / USB COM Port Emulation / HID-POS	
Symbologies	2D	PDF417, QR Code(Model 1/2), DataMatrix (ECC200, ECC000, 050, 080,100,140), Aztec, Chinese-Sensible Code, Maxicode, LP Code, etc.
	1D	Code128, EAN-13, EAN-8, Code39, UPC-A, UPC-E, Codabar, China post 25,Interleaved 2 of 5, ISBN/ISSN, Code 93,etc
Precision	≥ 3mil	
Light Source	LED(630 nm ± 10 nm)	
Light Intensity	300 LUX (130 mm )	
Depth of Scan Field	45 mm ~ 450 mm	
Print Contrast Signal	≥ 25%	
Roll	360°	
Pitch	45°	
Yaw	45°	
Illumination	0 ~ 100,000 LUX	
Mechanical/ Electrical		
Power Consumption	1.65 W	
Voltage	DC 5 V	
Current	Max	330 mA
	Oper.	290 mA
	Idle	200 mA
Colours	Black OR White	
IP Rating	IP54	
Weight	250g	
Environment		
Operate Temperature	-5°C - +45°C	
Storage Temperature	-40°C - +60°C	
Humidity	5% - 95% ( non-condensing )	
Certificates	FCC Part15 Class B, CE EMC Class B	

## Accessories

Flex Stand	
STAND001	Flex stand for HR200
Flex Cable	
CBL200R	This cable connect to the RS232 port of HR200 with a RJ45 port.
	With a standard female RS232 port to connect to standard male RS232 port.
	With a power port to accept power adapter supply.
CBL200U	This cable connect to the USB Slave port of HR200 with a RJ45 port.
	With a standard USB Slave port to connect to standard USB Host port.
Power	
ADP002	The power adapter for HR200 by the CBL200R. Output: DC5V, 2A; Input: AC100~240V, 50~60HZ.

## Dimensions (mm)



## Applicable Accessories

- **Quick Set**

Software tool in order to configure 2D barcode scanners based on the Microsoft Windows. Quick set connects the scanner engine through USB or RS-232, users are able to modify the scanner engine parameters in real-time.

- **User Manual / Programming Guide**

A manual to explain the user the basics of the scanner and how to configure it. Furthermore, it enables the user to set the scanner to the specific wishes regarding scanning modes, readable barcodes and barcode formats.