



## Manicon Technology Limited

Unit 12, 8/F, New City Centre, Kwun Tong,  
Kowloon, Hong Kong

Tel: 2836-3162 Fax: 2836-3093

E-Mail: [sales@manicon.com](mailto:sales@manicon.com)

Web Page: <http://www.manicon.com>

# Z-3070 series

## Handheld Barcode Scanner

### INTRODUCTION

The Z-3070 series is ZEBEX's newest developed handheld type barcode scanner with optional choices of different scan engines, interfaces, and as well as the communications. You can puzzle up your selections to meet your required purposes.

Ergonomics, elegant, and ruggedized design with a wider view for supreme reading capability. It is equipped with multi-interface that supports RS-232, keyboard & USB interface for automatically distinguishing and reading of the most popular and industrial symbologies. There are also optional versions of Z-3070 series with 868/915 RF communications and RFID tag reader option available, and optional to be as a rechargeable self-powered scanner aimed for advantages on power supply sensitive units.

The Z-3070 series guarantees the best performance for any of your barcode scanning applications.



- Smart & quick detachable cable system



Z-3070 Series  
RF Solution



Z-3070 Series  
Stand

### FEATURES

- 6 choices available with different optional combination of single CCD, Dual CCD, and RFID tag reader with multiple interface or 868/915 RF communication.
- Multi interfaces include keyboard wedge, RS-232 (C-MOS serial) and USB interface.
- Built-in decoder allows automatic recognition and decoding of most popular barcodes.
- Optional to be as a rechargeable self-powered scanner.
- Good read LED indicator and tone programmable beeper.
- Ergonomics and ruggedized design with a wider view for supreme reading capability and of course a more elegant look.

**ZEBEX**  
TO BE THE BEST IN AUTO ID

# Z-3070 Series HANDHELD BARCODE SCANNER

## SPECIFICATIONS

### PRODUCTS CONFIGURATION

| Model Number | Single CCD | Dual CCD | RF Communication | RFID Tag Reader | Scan Angle | Scan Rate | PCS* Value | Reading* Distance | Power Supply |
|--------------|------------|----------|------------------|-----------------|------------|-----------|------------|-------------------|--------------|
| Z-3070-DC    |            | ●        |                  |                 | 30°        | 300       | 30%        | 11"               | 160mA @ 5.0V |
| Z-3070-EC    | ●          |          |                  |                 | 30°        | 150       | 30%        | 6"                | 160mA @ 5.0V |
| Z-3070-DC/RF |            | ●        | ●                |                 | 30°        | 300       | 30%        | 11"               | 180mA @ 5.0V |
| Z-3070-EC/RF | ●          |          | ●                |                 | 30°        | 150       | 30%        | 6"                | 180mA @ 5.0V |
| Z-3070-DC/TG |            | ●        |                  | ●               | 30°        | 300       | 30%        | 11"               | 200mA @ 5.0V |
| Z-3070-EC/TG | ●          |          |                  | ●               | 30°        | 150       | 30%        | 6"                | 200mA @ 5.0V |

\* Note: Based on UPC/EAN 100%, PCS=90

### ENVIRONMENTAL

|                                     |   |
|-------------------------------------|---|
| <b>Temperature</b>                  | (a) Operating: 0°C ~ 50°C<br>(b) Storage: -10°C ~ 60°C                                    |
| <b>Humidity</b>                     | (a) Operating: 10% ~ 90% (No dewing allowed)<br>(b) Storage: 5% ~ 95% (No dewing allowed) |
| <b>Shock</b>                        | 1.0 meter drop to concrete  |
| <b>Max. Ambient Light Rejection</b> | 4500 Lux Max (Fluorescence)<br>86000 Lux Max (Sunlight)                                   |

### MECHANICAL

|                       |                                      |
|-----------------------|--------------------------------------|
| <b>Weight</b>         | 180g (excluding cable and connector) |
| <b>Case Material</b>  | ABS plastic                          |
| <b>Cable</b>          | 2m straight (optional coil)          |
| <b>Connector Type</b> | Quick lock connector                 |

### INTERFACE

Keyboard emulation, C-MOS serial, RS-232C serial and USB interface

### KEYBOARD EMULATIONS

IBM PC/XT/AT, IBM PS/2 Model 30-80, IBM 5550, 5530-SC, 5530-ZC, IBM 3196, 3472/3477, 5295 Terminal, NEC 9801, Apple MAC II, and more

### DECODING CAPABILITIES

UPC A/E, EAN-8/JAN-8, EAN-13/JAN-13, Addendum 2 or 5, Full ASCII Code 39, Code 39, Code 93, Interleaved 2 of 5, Codabar, Code 128, Chinese postcode.  
Optional: IATA, EAN-128, Code 11, STD 2 of 5, MSI Plessey, Matrix 2 of 5

### RFID Transponder Read/Write Electronic (For Tag Series)

|                                |  |
|--------------------------------|--|
| <b>Technology Transponders</b> | 13.56 MHz<br>Reads GemWave Transponders from GemPlus, Ario 10 and Ario 40. Optional: I code and Tag it |
| <b>Read/Write Speed</b>        | 24 KBit/Sec. (Write and back of 2 KBit > 1.5 sec)  |
| <b>Read/Write Distance</b>     | Up to 100mm  |

### Radio Specification (For RF Series)

|                          |  |
|--------------------------|--|
| <b>Frequency Baud</b>    | 868 and 915 MHz                                |
| <b>Modulation Method</b> | FSK (Frequency Shift Keying)                   |
| <b>Data Rate</b>         | Up to 19.2K baud                               |
| <b>Power Output</b>      | Maximum 10mW                                   |
| <b>Radio Range</b>       | 30 meters                                      |
| <b>Channel Selection</b> | Software ID selection                          |
| <b>Electrical</b>        | Complies with EN 300 220 and FCC FCR 47 and 15 |

### PROGRAMMABLE CHARACTERISTICS

#### Built-in Decoder:

Type of interface  
Code type selection, check digit selection  
Decoding option  
Transmitted character delay  
Header selection, trailer selection  
Good read beep tone and volume  
Barcode identifier

#### Keyboard Emulation Configuration:

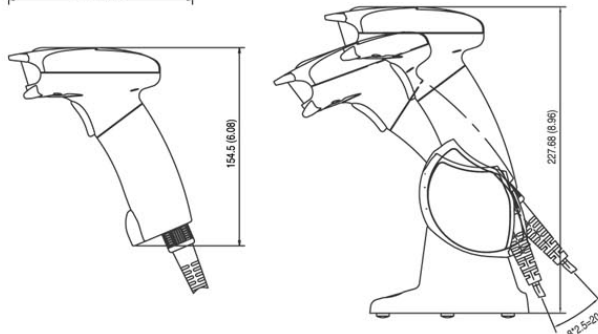
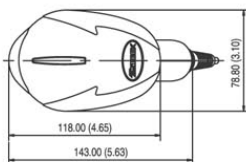
Inter-message delay, keyboard type and keyboard language

#### Serial Interface Type:

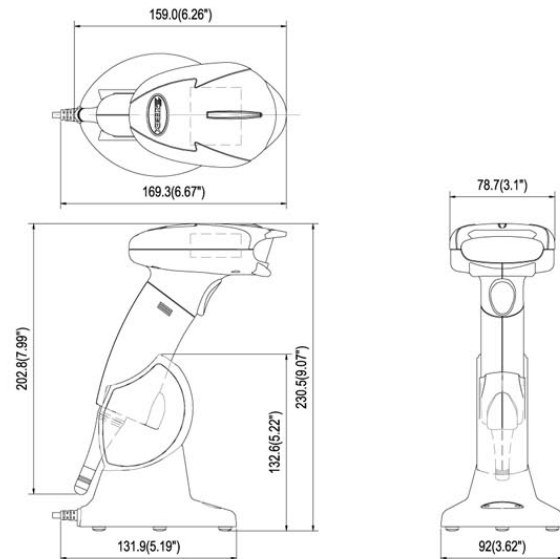
ACK/NAK, Xon/Xoff, RTS/CTS, Baud Rate, Data Bits, Stop Bits, Parity

Specifications are subject to change without notice. All brand names and registered trademarks registered trademarks are the property of their owners.  
The word ZEBEX and the ZEBEX logo are registered trademarks of ZEBEX Industries Inc.  
© 2003 ZEBEX Catalogue No. CAT-30225-04

UNITS : mm (inch)



Z-3070 Series with Stand



Z-3070 Series RF Solution