



LD960

Customer Display

**Clear, Easy-to-read
Graphic and All Command
Mode Support**

Stand-alone model
with 2 pole.

- Support 1 x 10 / 20 x 2 / 32 x 320 in a wide viewing angle.
- Supports 11 command modes included EPSON and Logic Control command.
- Easy connectivity to a wide range of POS products.
- OPOS/JPOS driver is standard.



Blue and Green Screen available.
(1 x 10 Character Font)



Attached to the base without
pole. (32 x 320 for Graphic)



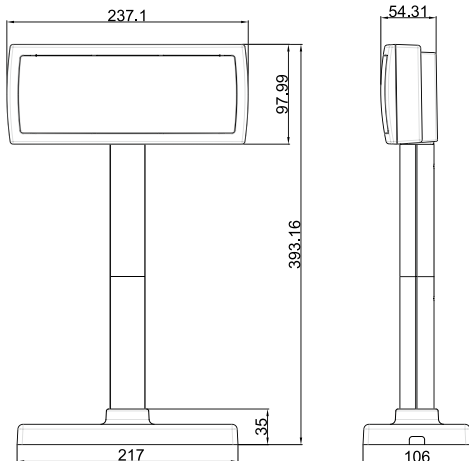
Stand-alone model
with stretching pole.



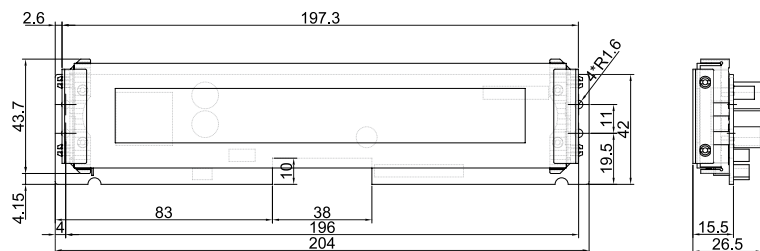
LD960 Customer Display

Specification

General	Display Method	Vacuum Fluorescent Display (Blue and Green windows available)
	Display Pattern	16 x 16 / 32 x 32 / 320 x 32 (for graphic mode)
	Brightness	350~700 cd/m ²
	Character font	20 x 2 for 16 x 16 font / 10 x 1 for 32 x 32 font / 320 x 32 for Graphic
	Character size	10.4(H) x 7.8(W) mm
	Dot Size (X * Y)	0.495 x 0.35mm
	Case color	Cool White and Elegance Black
	Support Dimension	380/250/120(H) x 33(Dia) mm
	Panel Dimension	20(H) x 217(W) x 106(D) mm
	Vertical Rotation	Max. 90°
	Horizontal Rotation	Max. 355°
	Weight	Approx. 980 grams
Commands Mode	LD540, EPSON, AEDEX, UTC/S, UTC/P, ADM788, DSP800, CD5220, EMAX, LOGIC CONTROL, Ultimate	
Language Support	Traditional Chinese, Simplified Chinese, Korean, Arabic, Turkish, Persian, US English, Int'l English, Bosnia, Croatian, Czech, Danish, Dutch, Estonian, Faroese, Finnish, Flemish, French, Fr Canadian, German, Greek, Hebrew, Hungarian, Icelandic, Indonesian, Irish, Italian, Katakana, Latvian, Lithuanian, Norwegian, Polish, Portuguese, Romanian, Russian, Slovene, Slovak, Spanish, Swedish	
Interface	RS-232 (serial) / USB	
Connection	Baud rate	Direct connection 9600 or 19,200 bps
Reliability	MTBF	30,000 hours
Power	Consumption	12 VDC
Safety	EMC standards Safety standards	FCC, CE



Panel Module Kit available



<http://www.labau.com.tw> E-Mail: service@labau.com.tw
 9F., No.531-1, Chung Cheng Rd., HsinTien, Taipei 231, Taiwan
 Tel: +886-2-2218-2277 Fax: +886-2-2218-5522