

VariPOS™

All-in-One & Multi-touch POS Solutions

Enhancing Your Hospitality and Retail Business



*Touch our
classical design*



- Intel® Pineview D410 / D510, Intel® Sandy Bridge CPU integrated
- 15" zero-bezel & projected capacitive technology touchscreen
- Flexible architectures for 7" / 10.4" LCD second display, MSR, iButton, Fingerprint, RFID, VFD
- Die-casting aluminum housing with IP66 certification
- Colorful plastic cover to lighten business identification
- Hidden cable management
- Reliable and consistent quality to Point-of-Sales requirement



Key Features



True flat & IP66 waterproof sustainable alcohol cleaning



Projected capacitive technology (PCT) & multi-touch function



VESA mount standard 100mm x 100mm



HDD isolated from main heat source on mother board



Changeable color to match shop image



Integrated with 10.4" Second Display

Ordering Information

VariPOS™ 715:

- VariPOS 715-D410 : 15" VariPOS 715 with Intel Pineview D410 1.66GHz CPU
- VariPOS 715-D510 : 15" VariPOS 715 with Intel Pineview D510 1.66GHz CPU

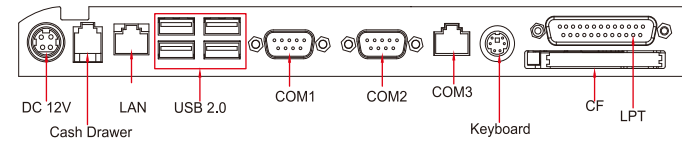
VariPOS™ 815:

- VariPOS 815-B810 : 15" VariPOS 815 with Intel Celeron B810 1.6GHz CPU
- VariPOS 815-i3 : 15" VariPOS 815 with Intel Core i3-2330E 2.2 GHz CPU
- VariPOS 815-i5 : 15" VariPOS 815 with Intel Core i5-2510E 2.5 GHz CPU

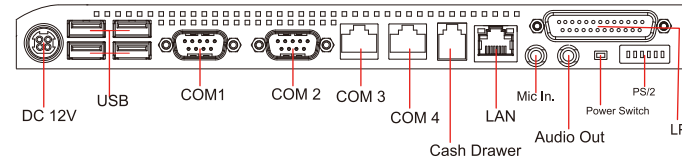
TouchScreen Type:

- True Flat PCT (projected capacitive technology)
- True Flat 5-wire Resistive

I/O Interface

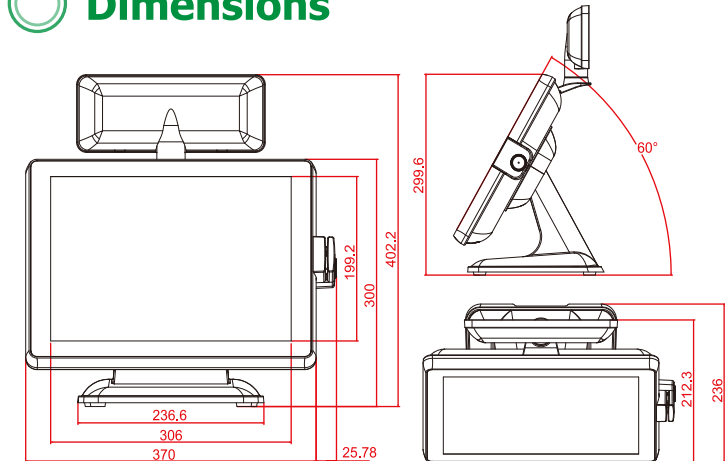


• VariPOS 715 (Standard LPT Version)



• VariPOS 815 (Standard LPT Version)

Dimensions



Optional Accessories:

- VFD: 2x20 Attached VFD
- MSR: Front, 3 Tracks RS-232 Type or PS/2 Type
- MSR & iButton: MSR-Front & iButton, RS-232 Type or PS/2 Type
- RFID 13.56MHz, USB Type
- Fingerprint Reader, USB Type
- 7" Second Display. Resolution 800 X 600
- 10.4" Second Display. Resolution 800 X 600

Applications



Hospitality Solution

We're in a world where customers have more choices than ever before, whether in what they eat, how they order, or how they pay. While most customers would prefer to have a shorter waiting time with their dining experience, the merchants have taken on this challenge by serving the customer faster by being more efficient. In return, they have raised their turnover and be more profitable. VariPOS helps maximize the operation efficiency by minimizing "customer idle time". VariPOS features a reliable and exceptional energy saving CPU from Intel's® Pineview processor. VariPOS also has a variety of color covers to mix and match restaurant's image. This powerful computing platform is ideal for restaurant owners who want to raise their customer experience to another level while reducing the operating cost.



Retail Solution

Today's retail businesses are struggling to survive as the shoppers are smarter due to open market information. As a result, retailer requires smarter system to be more efficient and intuitive. VariPOS retail solution is flexible in configuration to meet the most demanding retail industry. It has a wide range of POS peripherals including cash drawer, customer display, keyboard, printer, Omni-directional scanner, etc. These flexibilities will allow the retailers to stay ahead of market trend and ultimately growth for itself.



Specification



	VariPOS 715	VariPOS 815		COM3 : RJ-48 for VFD, RS-232, Pin10 w/RI/5V/12V Selectable by BIOS	COM3/4 : RJ-48 for VFD , RS-232, Pin10 w/RI/5V/12V Selectable by BIOS
Main Board					
CPU	Intel® Pineview D410 (Single Core) 1.66GHz with L2 Cache 512KB	Intel® Mobile Celeron B810 1.6GHz with L3 Cache 2MB		COM4 : DB-9, RS-232, Pin9 w/RI/5V/ 12V Selectable by BIOS (Optional)	
	Intel® Pineview D510 (Dual Core) 1.66GHz with L2 Cache 1MB	Intel® Core i3-2330E 2.2 GHz with L3 Cache 3MB	Audio Port	1 x Line-out ; 1 x Mic-In(Optional)	1 x Line-out ; 1 x Mic-In
		Intel® Core i5-2510E 2.5 GHz with L3 Cache 3MB	Power Switch	1 x Power Switch(Optional)	1 x Power Switch
Chipset	Intel® Pineview + ICH8M	Intel HM65	PS/2 Port	1 x PS/2 connector for Keyboard	1 x PS/2 connector for Keyboard (optional)
System Memory	1 x SO-DIMM DDRII 667, up to 2GB	1 x SO-DIMM DDRIII 1333, up to 4GB	LPT Port	1 x DB-25 Printer Port (Standard)	1 x DB-25 Printer Port (Standard)
Display			VGA Port	1 x DB-15 VGA Port (Optional)	
TFT LCD	38.1cm (15")		Card Reader & iButton	COM5 : Internal Pin header for Card Reader & iButton	
Brightness	250nits		Audio	HD Audio, 2W Speaker x 2	
Resolution	1024 x 768		Bus Expansion	1 x Mini-PCI-E Slot	
Touch Screen	True Flat Projected Capacitive Technology / True Flat 5-Wire Resistive		Compliance	IP 66 on front panel	
Storage			OS Support	Windows 7, Windows POSReady, Windows XP, Ubuntu 12	
HDD / SSD Type	1 x SATA 6.4cm (2.5")HDD , SSD (optional)		Power Supply	External power adapter, 80 Watts, AC 100~240V / DC12V @ 6.6A max.	External power adapter, 120 Watts, AC 100~240V / DC12V @ 10A max
Compact Flash Type	1 x Slot Type II	N/A	Material	Main Unit: Die-casting aluminum ; I/O Cover:Plastic	
I/O Ports -External			Color	Main Unit: Gray / White / Black *Customized color for plastic parts	
DC Input	1 x Mini Din 4P (DC 12V only)		Certifications	CE, FCC, Class-A, RoHS	
Cash Drawer	1 x RJ-11 (Power Pin 12V)		Dimension(W x H x D)	370 x 300 x 236 mm	
Network (LAN)	1 x Gigabit Ethernet by RJ-45		Weight	5.68 Kg (Aluminium Base: 1 Kg)	
USB Port	4 x USB 2.0		VESA Mounting	100 x 100mm	
Serial Port	4 x RS-232	4 x RS-232	Operating Temperature	0°C ~ 40°C, 10% ~ 90% RH, non-condensing	
	COM1/2 : DB-9, RS-232, Pin9 w/RI/5V/12V Selectable by BIOS		Storage Temperature	-20°C ~ 60°C, 10% ~ 90% RH, non-condensing	

* The right has been reserved to change the specification without prior notice.



○ **Poindus Systems Corp.**

Address: 5F., No. 59, Lane. 77, Xing-Ai Rd.,
Neihu Dist., Taipei City 114, Taiwan(R.O.C.)

Tel: +886-2-77214688

Fax: +886-2-77212289

E-mail: sales@poindus.com

www.poindus.com

www.varipos.com

